



TPD-430-H

4.3" Touch HMI Device with 1 x RS-485, Suitable for Outlet Box in United States



TPD-433-H

4.3" Touch HMI Device with 1 x RS-485, Ethernet (PoE), Suitable for Outlet Box in United States



TPD-430-H-EU

4.3" Touch HMI Device with 1 x RS-485, Suitable for the European 86 x 86 mm Outlet Box



TPD-433-H-EU

4.3" Touch HMI Device with 1 x RS-485, Ethernet (PoE), Suitable for the European 86 x 86 mm Outlet Box

Features

- High-color high-resolution touch screen
- PoE (Power over Ethernet) for TPD-433 Series
- RS-485 (including Self-Tuner)
- RTC (Real Time Clock)
- Buzzer
- Free HMIWorks development tool
- Support C language and Ladder Designer
- Modbus TCP/RTU & DCON protocols
- Support user-defined third party protocol (C language)
- Operating Temperature: -20 ~ 50 °C

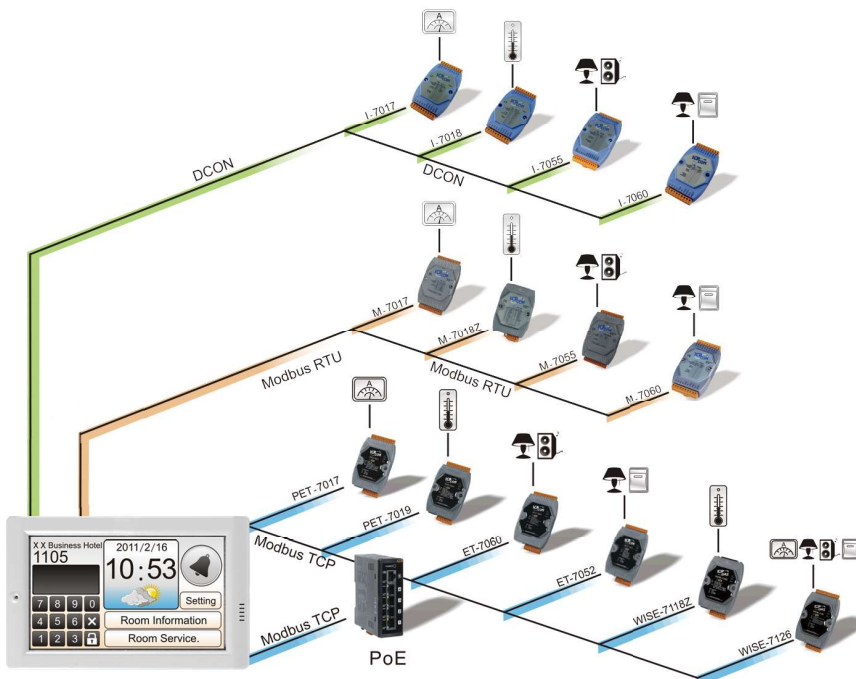


Introduction

The **TouchPAD TPD 4.3" Series**, TPD-430-H/TPD-430-H-EU/TPD-433-H/TPD-433-H-EU, is a series of touch HMI and designed for building and home automation. The TPD 4.3" Series is equipped with high-color high-resolution TFT touch screen and fits in with regular electrical wall-mount outlet. Besides, it is seamlessly integrated with rich I/O modules and presents beautiful, flexible and user-defined picture frame. In short, it is the best choice to upgrade the mechanical switch to intelligent control pads.

For PLC users, HMIWorks provides Ladder Designer, and for IT users, C language environment is provided. Especially, it only takes no more than 30 minutes to learn how to create an application program of TouchPAD series devices when using Ladder Designer. Moreover, by utilizing the Ethernet functionality of the TouchPAD, users can easily implement a redundant control solutions. With all the features provided, TouchPAD series touch HMI Devices must be the most cost effective HMI Device ever been in the market.

Applications

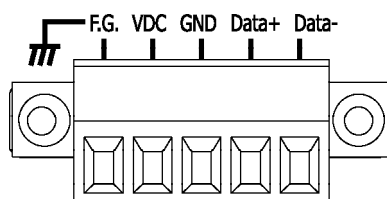


Specifications

Models	TPD-433-H	TPD-430-H-EU	TPD-433-H	TPD-433-H-EU
Main Unit				
CPU	32-bit RISC CPU			
Storage	16 MB SDRAM/16 MB Flash			
Real Time Clock	Yes			
Display				
Type	LCD 4.3" TFT(Resolution 480 X 272, 65535 colors), defective pixels <= 3			
Backlight Life	20,000 hours			
Brightness	400 cd/m2			
Touch Panel	Yes			
HMI				
Buzzer	Yes			
Rotary Switch	Yes			
Reset Button	Yes			
Ethernet				
Ports	-		RJ-45 x 1, 10/100 Base-TX	
Power				
Consumption	2.5 W			
Powered from PoE	-		IEEE 802.3af, Class1 (48 V)	
Powered from Terminal Block	+12 ~ 48 VDC			
Mechanical				
Dimensions (mm)	126 x 82 x 24	126 x 92 x 29	126 x 82 x 24	126 x 92 x 29
Installation	Wall Mounting (Suitable for the outlet box in United States)	Wall Mounting (Suitable for the European 86mm x 86mm outlet box)	Wall Mounting (Suitable for the outlet box in United States)	Wall Mounting (Suitable for the European 86mm x 86mm outlet box)
Environmental				
Operating Temperature	-20 ~ +50°C			
Storage Temperature	-30 ~ +80 °C			
Humidity	10 ~ 90% RH, Non-condensing			

Pin Assignments

TPD-430-H/TPD-430-H-EU/PD-433-H/TPD-433-H-EU

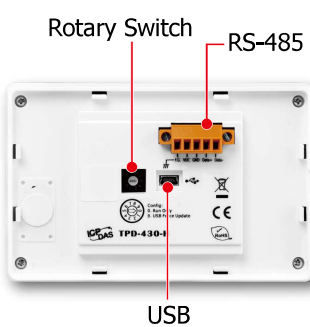


Appearance

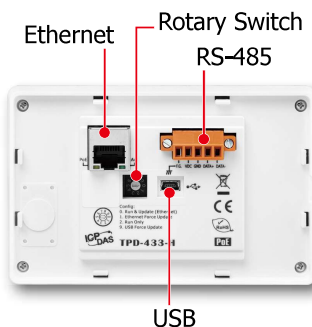
TPD-430-H/TPD-430-H-EU/PD-433-H/TPD-433-H-EU



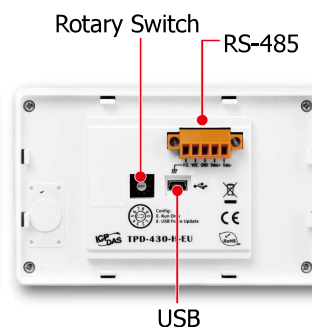
TPD-430-H Rear View



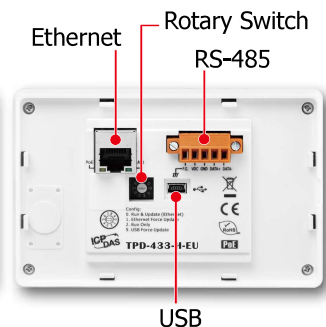
TPD-433-H Rear View



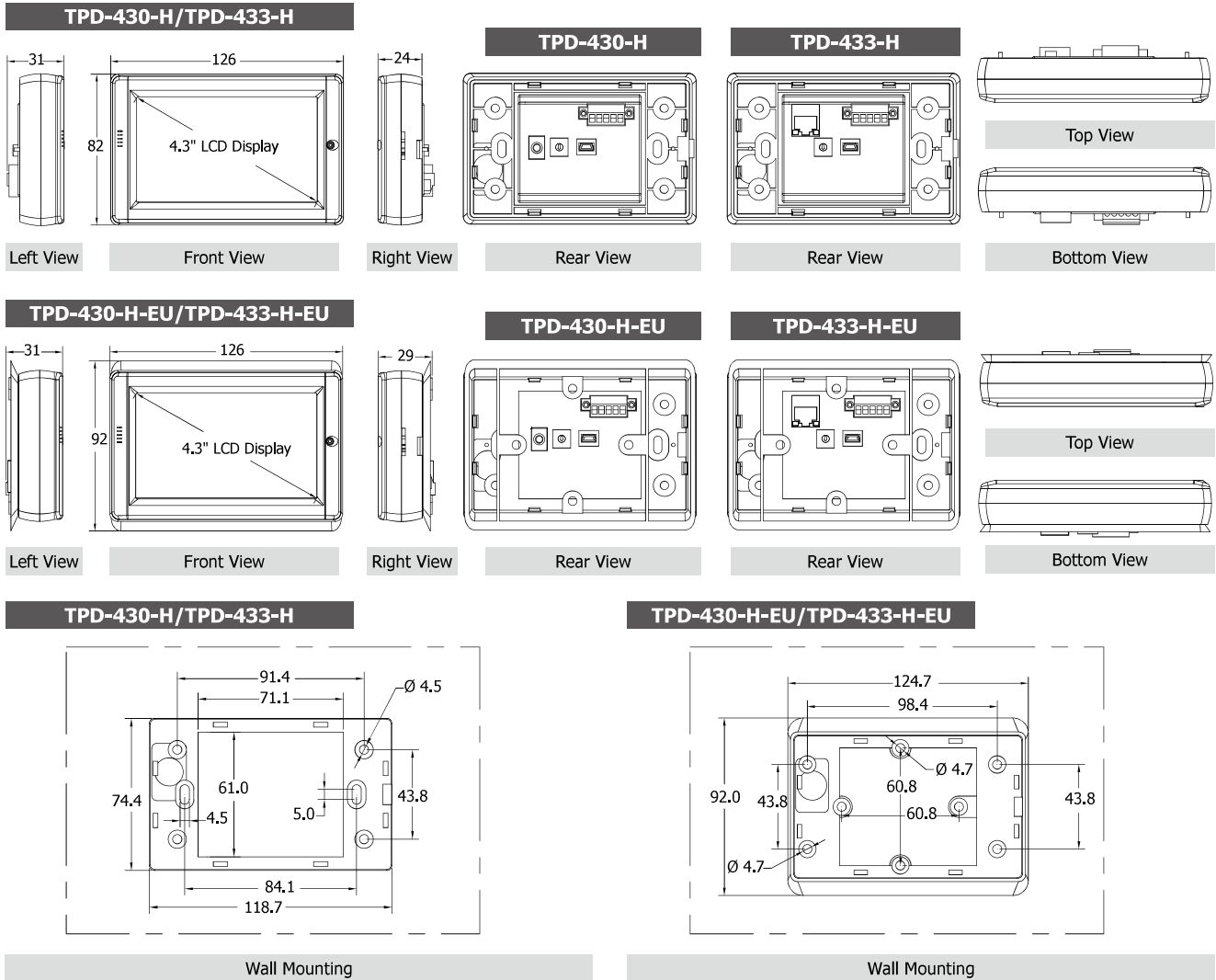
TPD-430-H-EU Rear View



TPD-433-H-EU Rear View



■ Dimensions (Units: mm)



■ Ordering Information

TPD-430-H CR	4.3" Touch HMI Device with 1 x RS-485, RTC and USB Download Port, Suitable for Outlet Box in United States (RoHS)
TPD-430-H-EU CR	4.3" Touch HMI Device with 1 x RS-485, RTC and USB Download Port, Suitable for the European 86 x 86 mm Outlet Box (RoHS)
TPD-433-H CR	4.3" Touch HMI Device with 1 x RS-485, Ethernet (PoE), RTC and USB Download Port, Suitable for Outlet Box in United States (RoHS)
TPD-433-H-EU CR	4.3" Touch HMI Device with 1 x RS-485, Ethernet (PoE), RTC and USB Download Port, Suitable for the European 86 x 86 mm Outlet Box (RoHS)

■ Accessories

	CA-USB10 CR	USB to 5P Mini-USB, 28AWG, 1.5 m		EWB-T43 CR	External Wall Box (White) for TPD-430-H/TPD-433-H
	MDR-60-24 CR	24 VDC/2.5 A, 60 W Power Supply with DIN-Rail Mounting (RoHS)		EWB-T43-BK CR	External Wall Box (Black) for TPD-430-H/ TPD-433-H
				OB120 CR	Outlet Box for TPD 2.8 inch Series and TPD-430-H/TPD433-H Devices